



EcoPF
SERIES

**Automatic
Power Factor
Controllers**

Available for
**Contactor/Thyristor
 Switching**

EcoPF
 SERIES

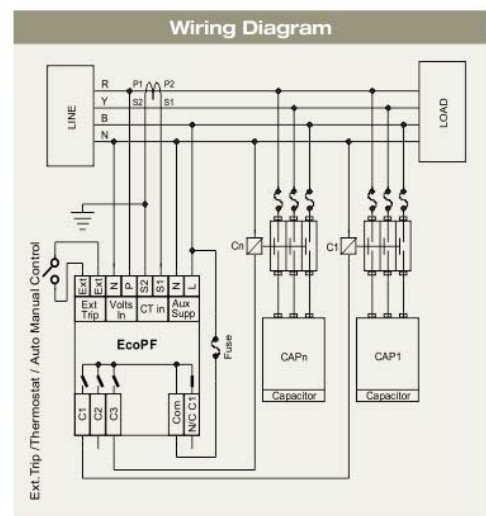
**Automatic
 Power Factor
 Controllers**

EcoPF / EcoPF+ are compact micro-controller based Power Factor Controllers working on True RMS measurement. They are designed for achieving the optimum power factor, using automatic switching of LV Capacitors. These relays provide simple and cost-effective solution for automatic power factor correction.



FEATURES	EcoPF	EcoPF+
Technology	Microcontroller based intelligent PF Controller	
Measurement	True RMS measurement - Operates reliably even under high harmonics load Assuming balanced load condition, it measures voltage and current on True RMS basis of one of the phases and computes the power factor	
PF Setting	No PF Setting required. Achieves optimum power factor from connected capacitors	
Relay Programming	First In First Out (FIFO) sequence	
Protection	Protection of capacitors by automatic disconnection in under / over voltage conditions	
Switching delay	60 seconds (factory set)	
Input Power	Operates reliably under wide input voltage range using in-built SMPS	
Alarms	Low Current , Reverse CT Connections	
Display Parameters	No display	2 Digit LED display for PF
LED Indications	Power On, Stages On, Load Inductive / Capacitive, Trip	
User Settable Parameters	Maximum Stages, CT Ratio, Minimum Switching KVAR - using DIP switches	
External Trip Input	N/O input to disable the switching function from external contact such as thermostat, auto/manual toggle etc.	

SPECIFICATIONS	EcoPF	EcoPF+
Operating Voltage	70 - 270 Vac, 50 Hz	
Power Consumption	5 VA	
Input Current	1A / 5 A (Factory Set)	
Minimum KVAR	Settable through 5 position DIP switch from 2.5 to 80.0 KVAR in step of 2.5 KVAR	
Number of stages	1,3	
Switching Delay	60 seconds (factory set)	
Switching Sequence	First In First Out (FIFO)	
Stage Relay Rating	230 Vac / 5 Amp, N/O type (Contact 1-C/O type)	
Operating Temperature	0° to 55°C	
Humidity (Maximum)	95% RH - Non Condensing	
Dimensions (H X W X D)	96mm x 96mm x 125mm	
Weight	500 gms.	



* Thanks to continuous innovation, Specifications are subject to change

online

Online Micro Controls Pvt. Ltd.

'Darshan', Nr. Parimal Rly. Crossing, Paldi, Ahmedabad-380 007. Gujarat, India.
 Tel. : +91 79 55431241, 26637090 Fax : +91 79 2663 8051
 email : info@onlinemicrocontrols.com Website : www.onlinemicrocontrols.com